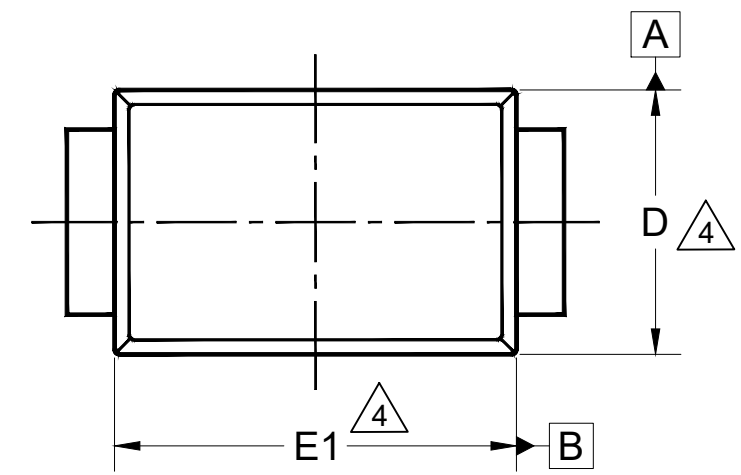
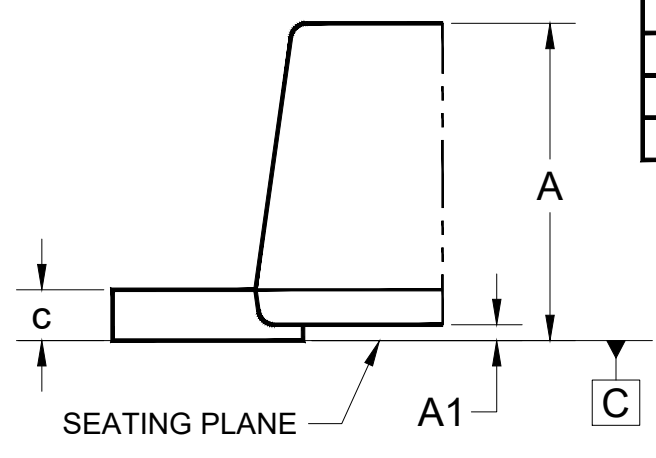
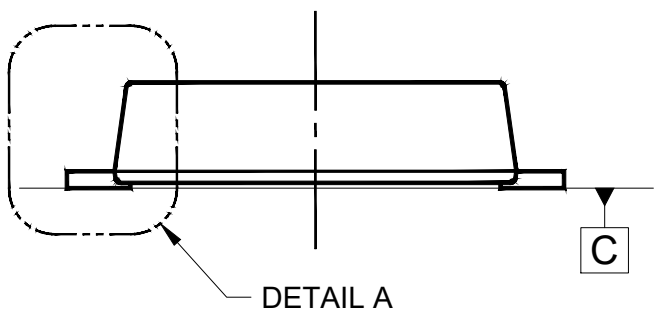


NOTES: UNLESS OTHERWISE SPECIFIED

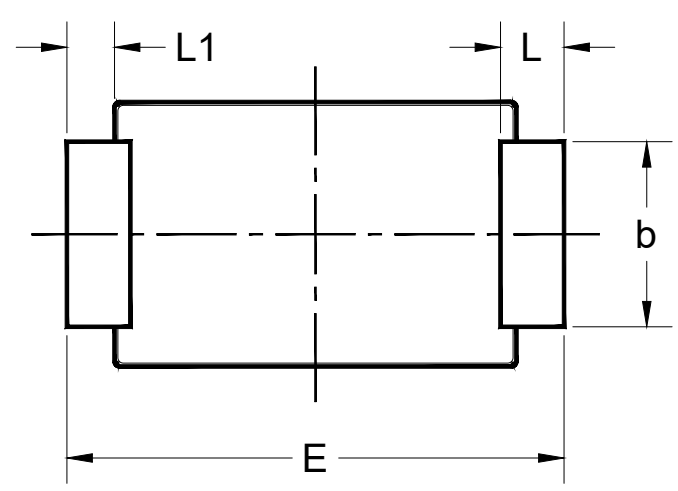
1. ALL DIMENSIONS ARE IN MILLIMETERS.
2. DIMENSIONING AND TOLERANCING PER ASME Y14.5M-2009.
3. PACKAGE OUTLINE REFERENCE: JEDEC DO-221, VARIATION AD, ISSUE B.
4. MODIFIED PLASTIC BODY DIMENSIONS DO NOT INCLUDE MOLD FLASH.
5. DWG NO. REF: HQ2SD07-SOD128-039 REV A.



DIM	Unit (mm)	
	Min	Max
A	0.90	1.10
A1	0.00	0.10
b	1.60	1.90
c	0.10	0.22
D	2.30	2.70
E	4.40	5.00
E1	3.60	4.00
L	0.40	0.80
L1	0.30	0.60

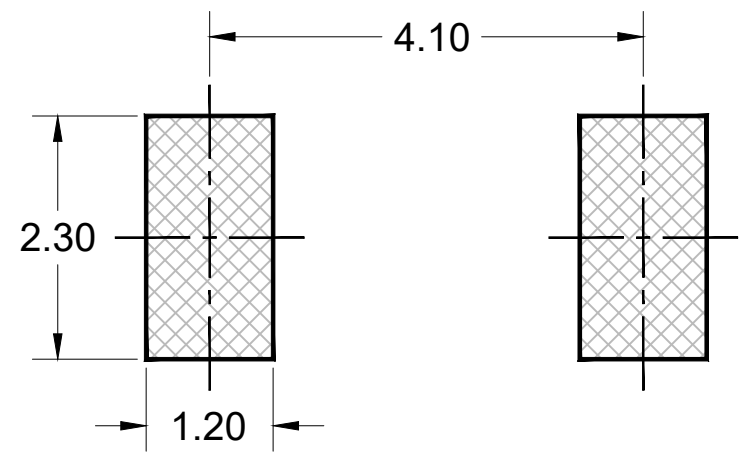


DETAIL A
(SCALE 3:1)



$\oplus 0.13(M) C A B$
2X

$\oplus 0.13(M) C A B$

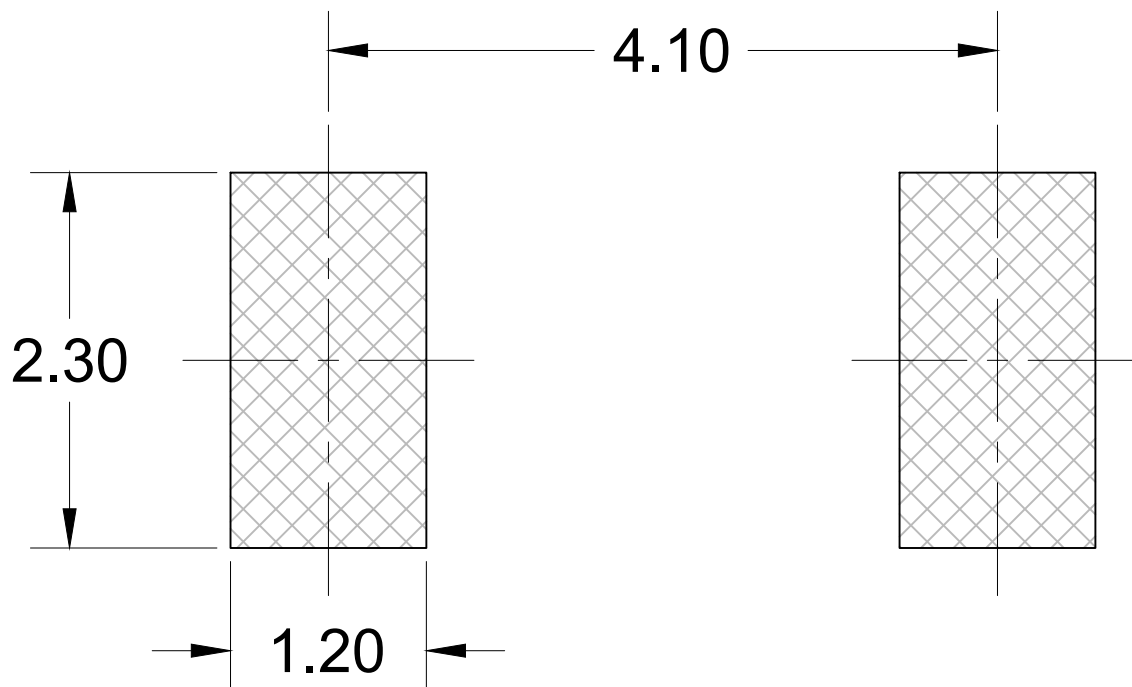


SUGGESTED PAD LAYOUT

NOTES: UNLESS OTHERWISE SPECIFIED

1. ALL DIMENSIONS ARE IN MILLIMETERS.
2. DIMENSIONING AND TOLERANCING PER ASME Y14.5M-2009.
3. PACKAGE OUTLINE REFERENCE: JEDEC DO-221, VARIATION AD, ISSUE B.
4. DIMENSIONS D AND E1 DO NOT INCLUDE MOLD FLASH.
5. DWG NO. REF: HQ2SD07-SOD128-039 REV A.

CLEARANCE REVIEW OF SCALED UNIT OVERLAY ON TOP OF PAD LAYOUT, 2LD SOD-128



PAD LAYOUT

